

Fiber Optics Terminal Box

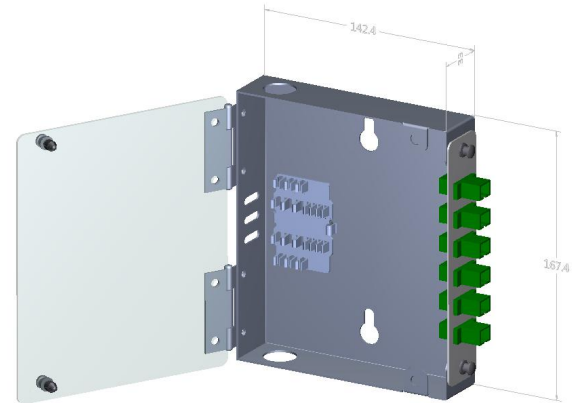
GP31-1M12A

Overview

LongXing GP31-1M12A Optical Splice Box offers ideal environment for optical fibers to be spliced and interconnected. It has small size but high density and comes with an adapter plate that accommodates up to 12 fibers.

Features

- The box has functions of cable termination and splicing.
- Small size and customizable.
- **Hinged glass door - pleasing and intuitive appearance.**
- **Material: Aluminum alloy - light weight.**
- Easy installations: Wall mountable.
- Adapter plate for different types of adapters.
- Adoptable adapter types: FC, SC, LC/Duplex



Dimensions and Capacity

Dimension(H x W x D) mm	Capacity for SC	Capacity for LC
168 x 143 x 33	6	12

Customized designs available upon request.

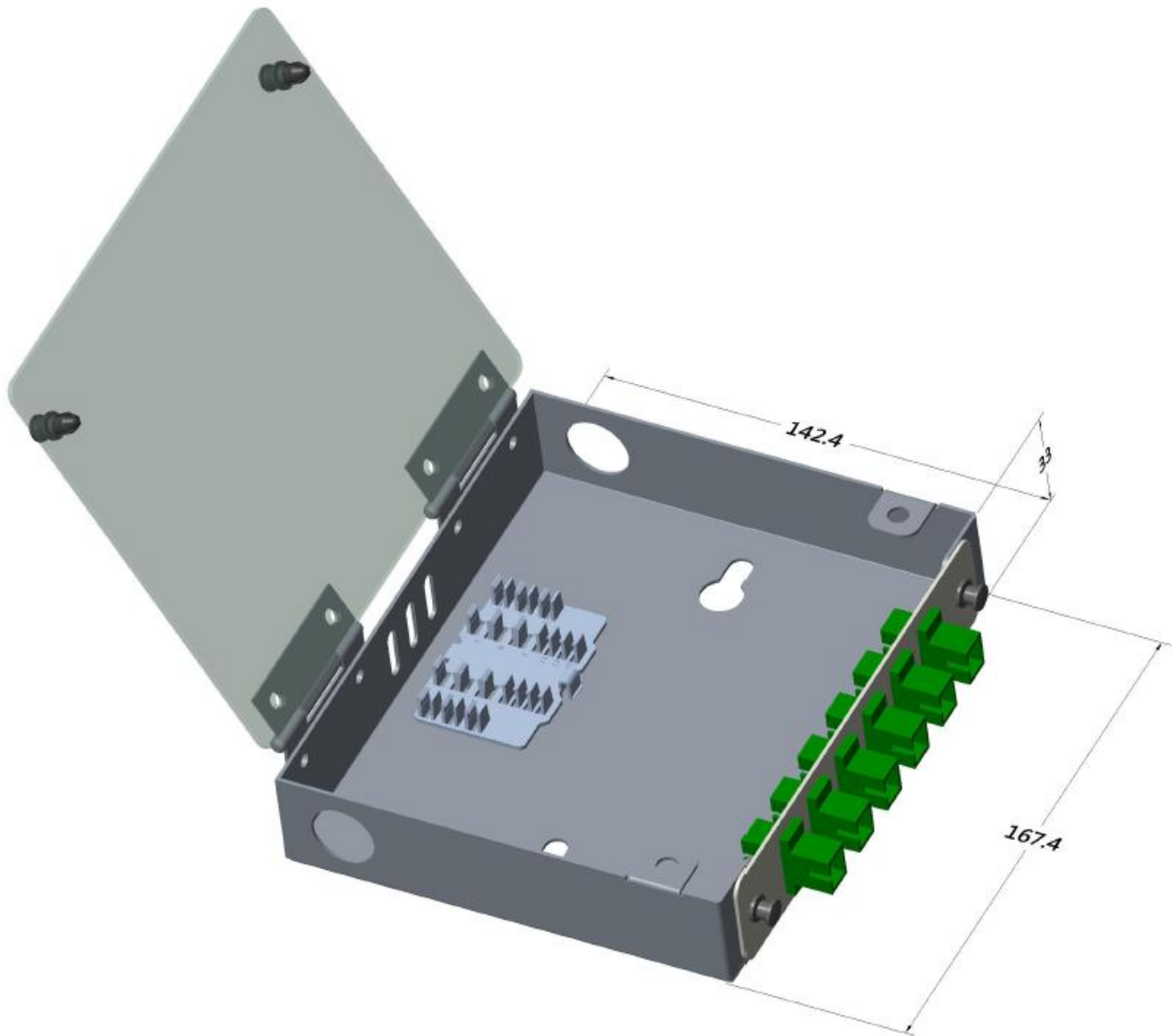
Operation Conditions

Temperature	-30°C - 75°C
Humidity	≤90% (at 30 °C)
Air Pressure	70kPa – 106kPa

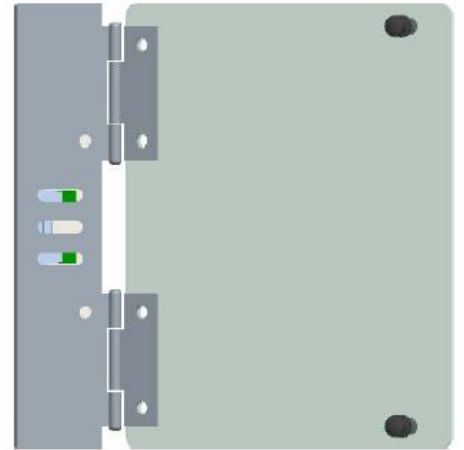
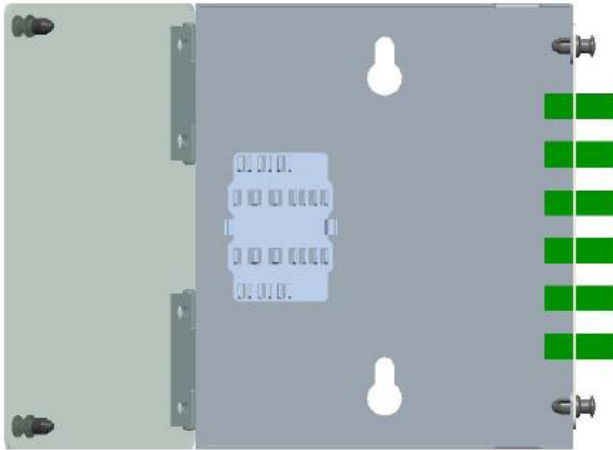
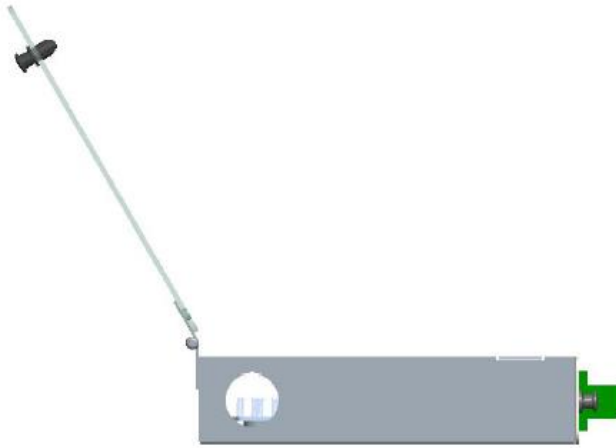
Shipping Information

Package Contents	Terminal box, 1 unit; Key, 1pc
Package Dimensions(W*H*D)	200mm*170mm*80mm
Material	Carton box
Weight	1.2 KG
Lead Time	10-15 working days normally

Technical Drawing 1



Technical Drawing 2



Part Details

