

Outdoor Cabinet Air Conditioner

AC500



Overview

LongXing Air Conditioner Cooling Solution can be widely used in enclosed area for climate control, such as wireless communication cabinet, battery cabinet, industry control cabinet etc. LongXing air conditioners are designed to cool your electronic and electrical controls, instruments, computer terminals, printers, telecommunications equipment, surveillance devices, cameras, laser and optical equipment and many other electronics in variety of environments. Our electronic cabinet cooling systems are designed for use with a wide range of enclosures and transit cases. Models are available for both indoor and outdoor use in AC and DC power configurations. Coolers feature corrosion-resistant stainless steel construction.

Features

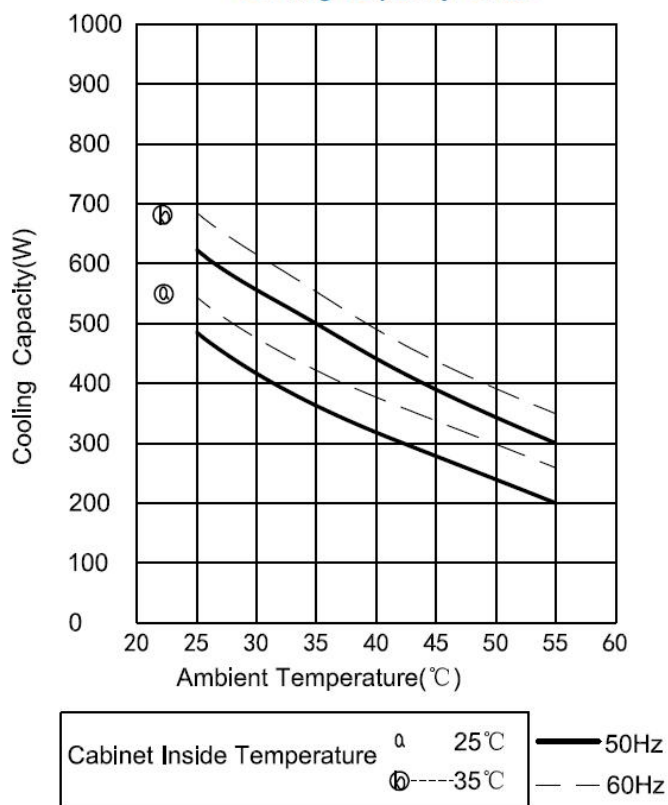
- Remote measuring, remote communication, remote control, which can realize multiple automatic protection and comprehensive self-testing function;
- Strict process control and famous brand components to ensure high quality and reliability of this product;
- Fit for harsh condition (T3), R134a refrigerant ;
- Multiple self-protection design & visible monitoring interface, RS485 communication port (MODBUS-RTU protocol);
- LED display, all the settings can be changed at the field;
- The heating function and the hydrogen function is optional;
- Dry contact alarm output, NO/NC optional;
- Anti-theft design, without the cowling.



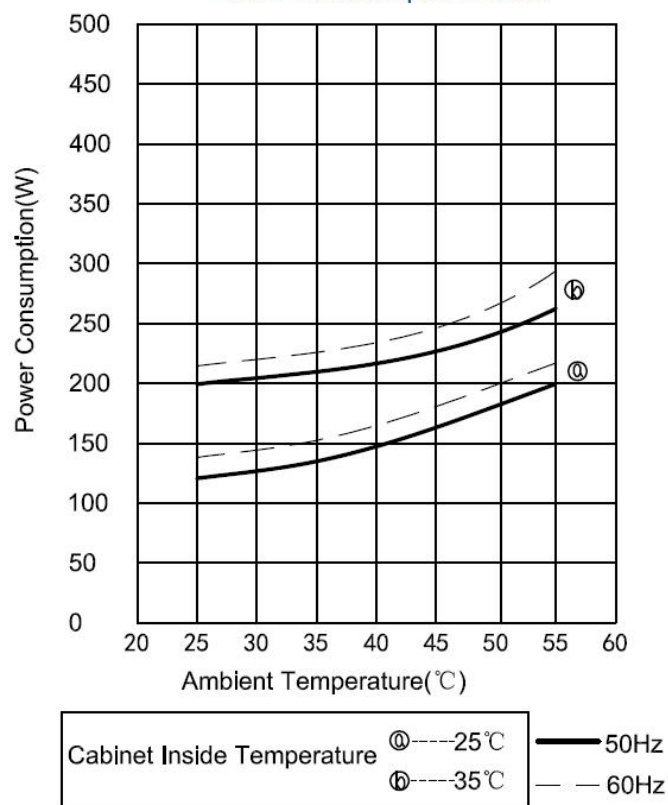
Technical parameters

Name	Outdoor Cabinet Air Conditioner
Code	AC500
Mounting Method	Semi-embedded Mounting
Power Supply	230VAC±15% 50Hz/60Hz
Cooling Capacity	500W@L35/L35
Power Consumption	210W@L35/L35
Cooling Capacity	300W@L35/L55
Power Consumption	260W@L35/L55
Internal Airflow	120m ³ /h
Working Temperature Range	40°C~+55°C
Max Noise Level	60dB(A)
IP Grade	IP55
Net Weight	15kg
Refrigerant	R134a
Dimensions(H*W*D)	500mm*320mm*175mm
CE&RoHS Compliant	Yes
Surface Treatment	Outdoor type powder coating Standard color: RAL7035
Heater	Optional (500W)
Hydrogen Function	Optional

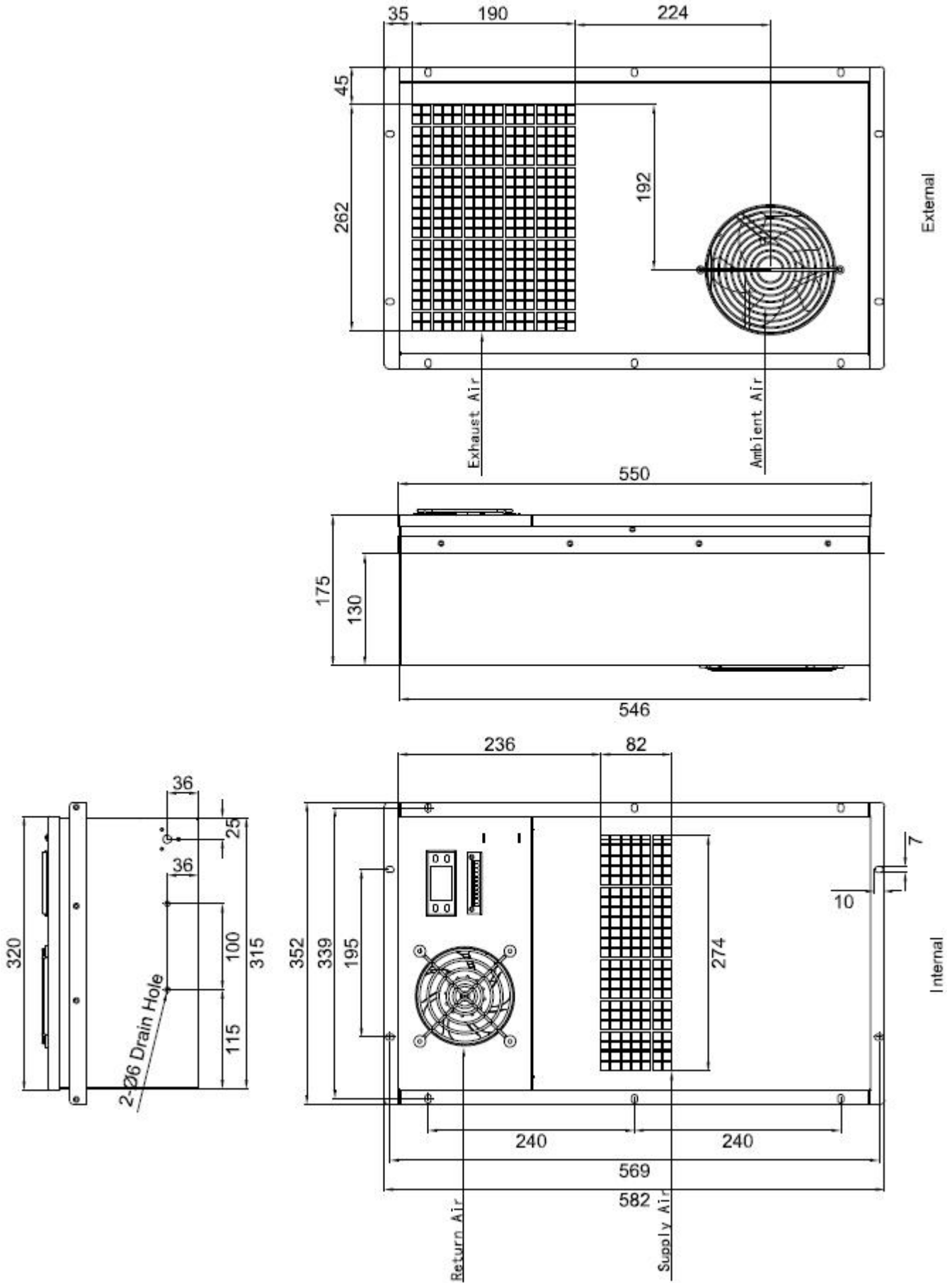
Cooling Capacity Chart



Power Consumption Chart



Technical Drawings



Technical Drawings

Figure 1-Cabinet Door Cutting Dimension

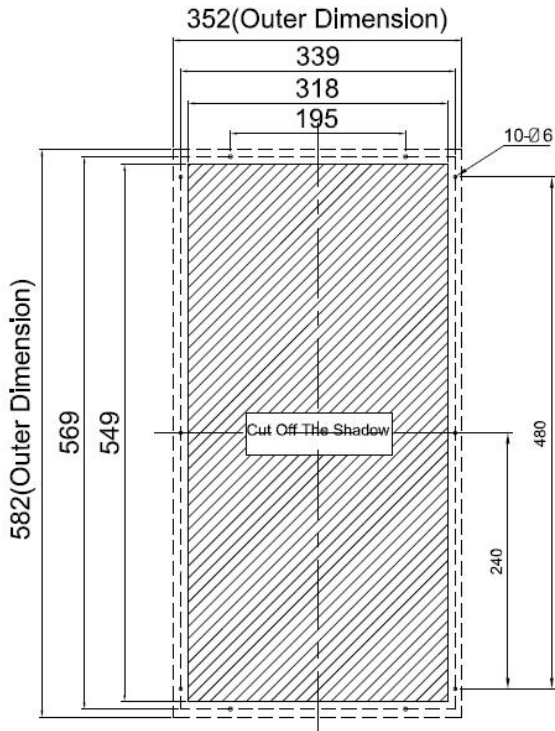


Figure 2-Air open design of cowling

