

Fiber Optic Connector

MTP/MPO Connector

Overview

MTP/MPO connector produced by LongXing specially for multi-fiber ribbon cable, it use precision molded MT ferrules, together with metal guide pins and precise housing dimensions ensure fiber alignment when mating, realize high density interconnection. MTP/MPO pre-termination save time and reduce the risk of damage fragile optical connectors, the plug and play system is the perfect solution for today's optical fiber installations.



Features

- Precision molded MT ferrule
- Compact design, available for 4,8,12,24 fiber ribbons
- High precision guide pins for exact alignment
- Male and female available
- High density interconnection
- Available for singlemode (angled) and multimode (flat) performance
- Fiber type can be bare fiber ribbon and ruggedized ribbon
- Color coded housings available to differentiate fiber type, polish type and connector grade
- Housing is removable for quick change of pin clamps and easy ferrule cleaning / re-polishing
- Array fiber to single fiber fanouts and cassettes

Applications

- Gigabit Ethernet
- CATV and Multimedia
- Active Device Interface
- Premise installations
- Optical Switch interframe connections
- Interconnection for O/E modules
- Telecommunication Networks
- Industrial & Medical

Technical Specifications

Parameters	Standard Multimode MT Ferrule	Standard Single-mode MT Ferrule
Return Loss(dB)	≥25 dB (Flat Polish)	≥60 dB (8° Polish)
Insertion Loss (dB)	0.15dB Typical 0.50dB Maximum	0.20dB Typical 0.70dB Maximum



Technical Drawings

MTP/MPO Connector Types



MPO/MTP Male with Pins



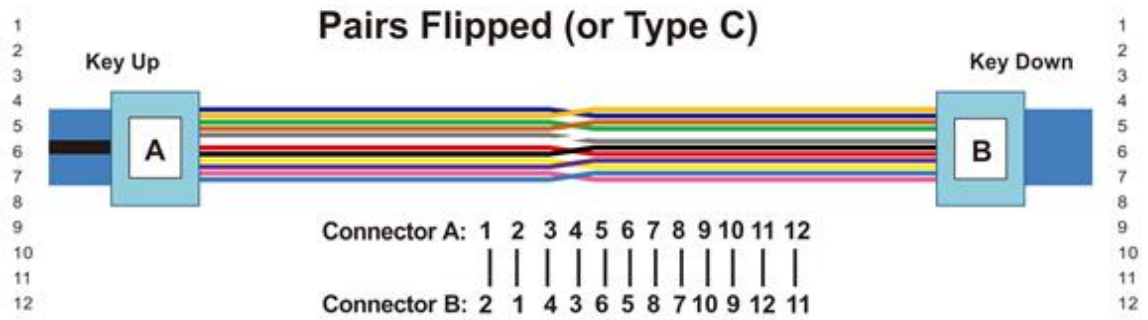
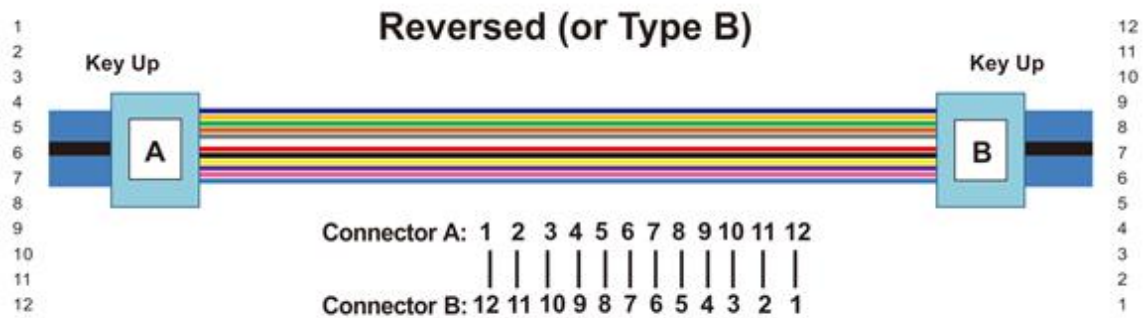
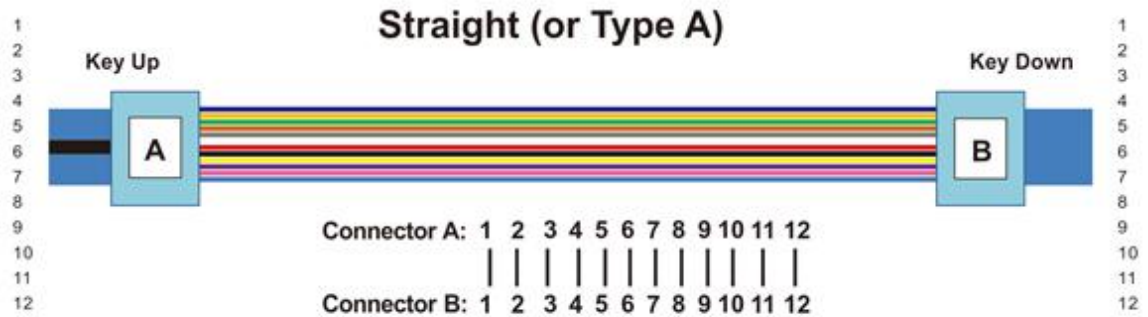
MPO/MTP Female without Pins

Wire map configurations

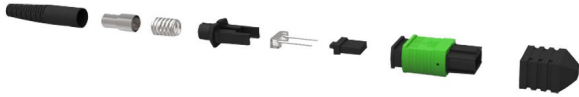
Straight Type A wiring (Straight Through)		Total flipped Type B wiring (Cross)		Pair flipped Type C wiring (Cross Pair)	
Fiber	Fiber	Fiber	Fiber	Fiber	Fiber
1	1	1	12	1	2
2	2	2	11	2	1
3	3	3	10	3	4
4	4	4	9	4	3
5	5	5	8	5	6
6	6	6	7	6	5
7	7	7	6	7	8
8	8	8	5	8	7
9	9	9	4	9	10
10	10	10	3	10	9
11	11	11	2	11	12
12	12	12	1	12	11



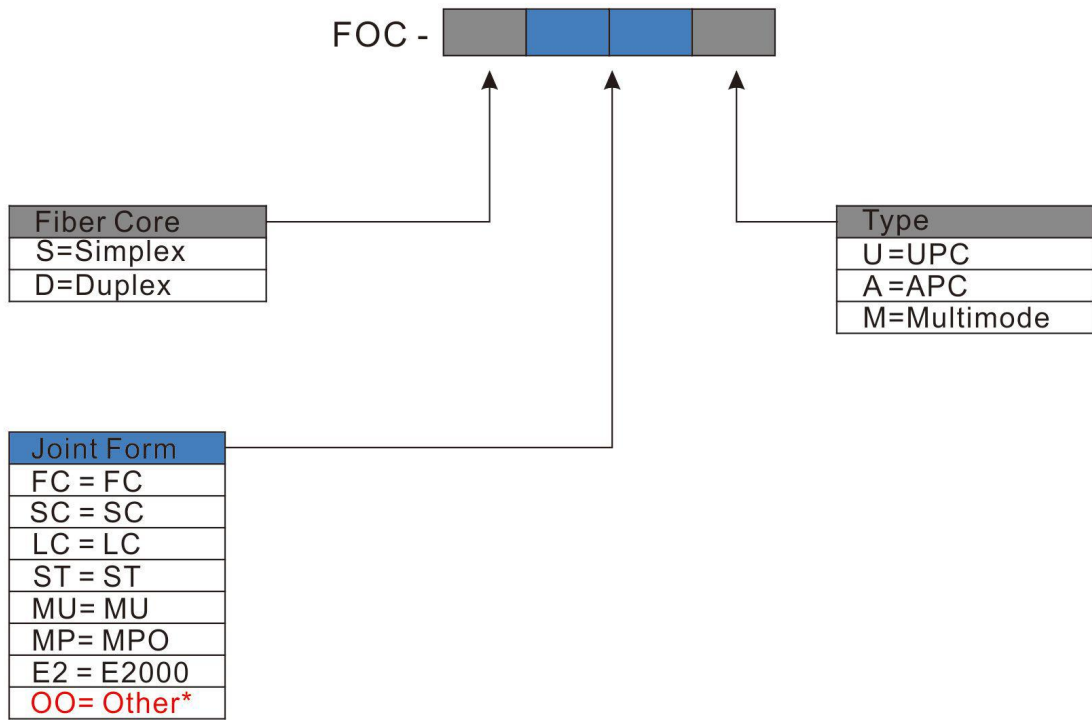
Pre-terminated MTP Technology-Polarity



Part Details



Catalog Number



Ordering Example:

FOC-SMUA Simplex, MU, APC

Note : *If the required type of any item is not on the relevant list, please use “O” or “OO” as the red cells indicate, and kindly state the required type in the description of PO.