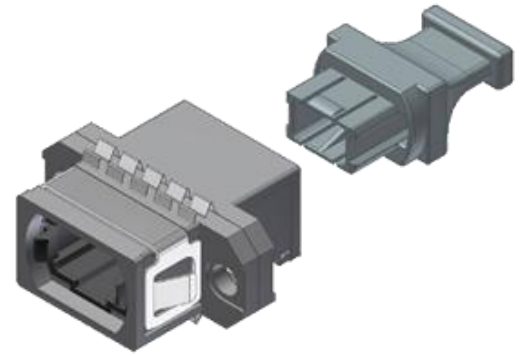


Fiber Optic Adapter

MTP/MPO Adapter

Overview

LongXing MTP/MPO fiber optic adapter enable quick and easy connections of single-mode and multimode fibers. Fiber optic adapters are used to provide a cable to cable or cable to equipment fiber optic connection. There are many kinds of fiber optic adapters, including MTP/MPO, FC, SC, LC, MU, ST, and MTRJ. With its simple to use locking thread mechanism preventing accidental disconnection, this provides a very secure connection.

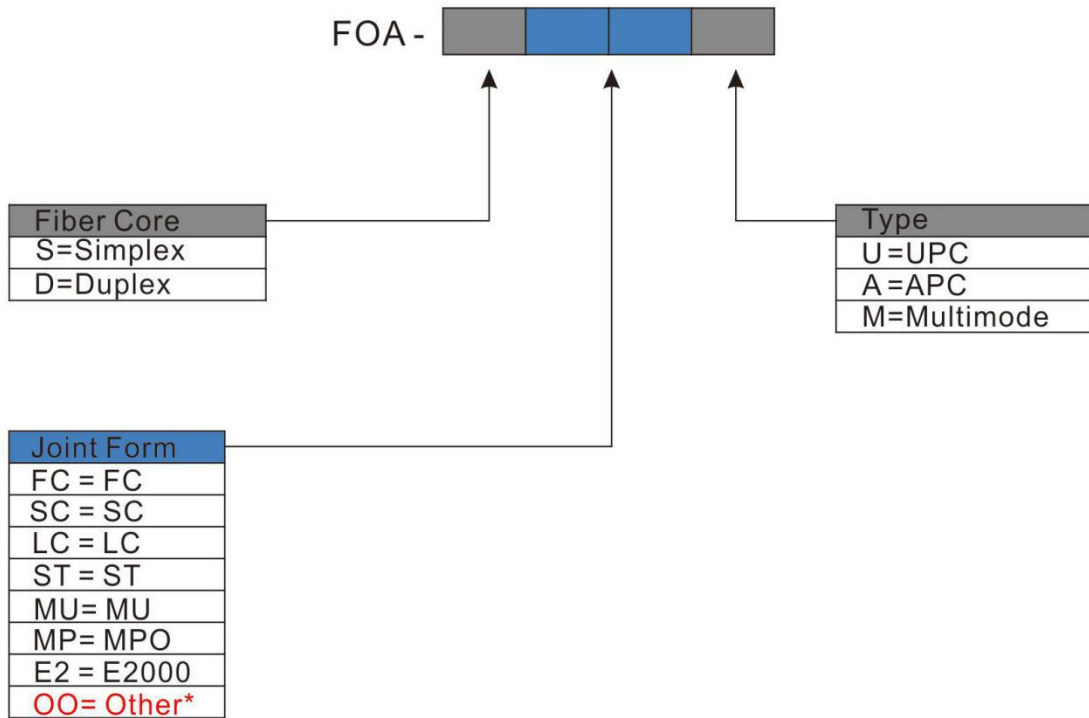


Features

- MTP/MPO to MTP/MPO style
- Use in Singlemode or Multimode applications
- Free-hanging or panel-mount design
- A cable to cable fiber optic connection
- Cable to equipment fiber optic connection
- Dust caps protect against debris and contamination
- Material: Plastic
- RoHS Compliant

Technical Specifications		
Insertion Loss (dB)	≤ 0.20dB	
Durability	SM STANDARD	MM STANDARD
	<0.30dB change 500 matings	<0.20dB change 1000 matings
Operating Temperature	-40°C to +85°C	

Catalog Number



Ordering Example:

FOA-SFCU Simplex, FC, UPC

Note : *If the required type of any item is not on the relevant list, please use "O" or "OO" as the red cells indicate, and kindly state the required type in the description of PO.

