

# Fiber Optic Connector

## ST Connector

### Overview

The ST connector set the standard for optical fiber interconnects. Bayonet locking mechanism can prevent accidental disconnection. With the precision housing this connector gives the very best of performance.

### Features

- Rotary bayonet structure, convenient for operation;
- Phosphor bronze and split zirconia (ceramic) ferrules can be selected.
- High return loss, Low insertion loss
- Push-and-pull structure, convenient for operation;
- Split zirconia (ceramic) ferrule is adopted.
- Available fiber diameter: 0.9mm, 2.0mm, 3.0mm
- Usually mounted in a distribution panel or wall box.
- The connector are color coded allowing easy identification of the connector type.
- Available with single-core & multi-core patch cords and pigtails.

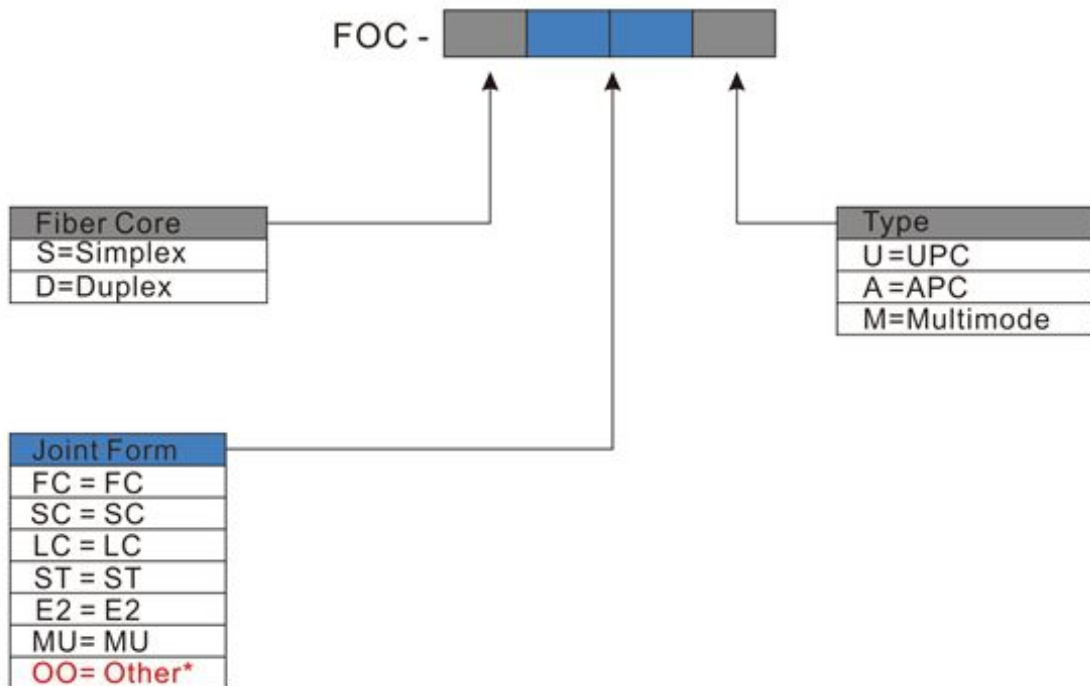


### Technical Specifications

Parameters	ST/PC	ST/UPC	ST/APC
Working Temperature (°C)		-40— +80	
Insertion Loss (dB)	≤0.3	≤0.3	≤0.3
Return Loss( dB)	≥45	≥50	≥60



# Catalog Number



## Ordering Example:

FOC-SMUA Simplex, MU, APC

**Note :** \*If the required type of any item is not on the relevant list, please use "O" or "OO" as the red cells indicate, and kindly state the required type in the description of PO.

