

Fiber Optic Connector

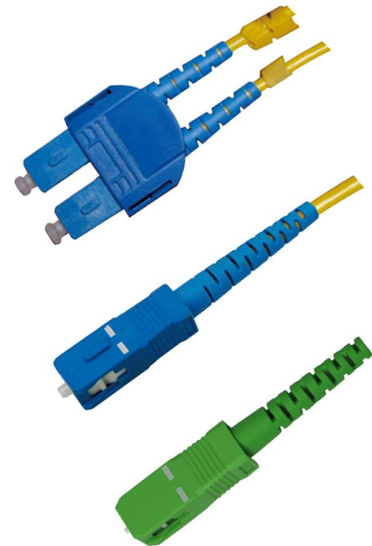
SC Connector

Overview

The SC connector are the most used set for modern day optical fiber systems. With the audible click locking mechanism and pull proof design this connector provides a secure interconnect.

Features

- High return loss, Low insertion loss
- Push-and-pull structure, convenient for operation;
- Split zirconia (ceramic) ferrule is adopted.
- Available fiber diameter: 0.9mm, 2.0mm, 3.0mm
- Usually mounted in a distribution panel or wall box.
- The connectors are color coded allowing easy identification of the connector type.
- Available with single-core & multi-core patch cords and pigtails.

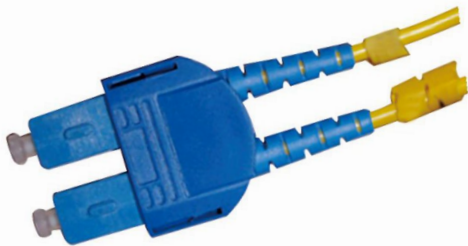
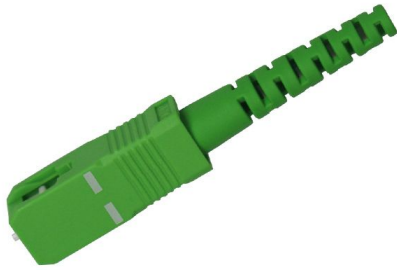


Technical Specifications

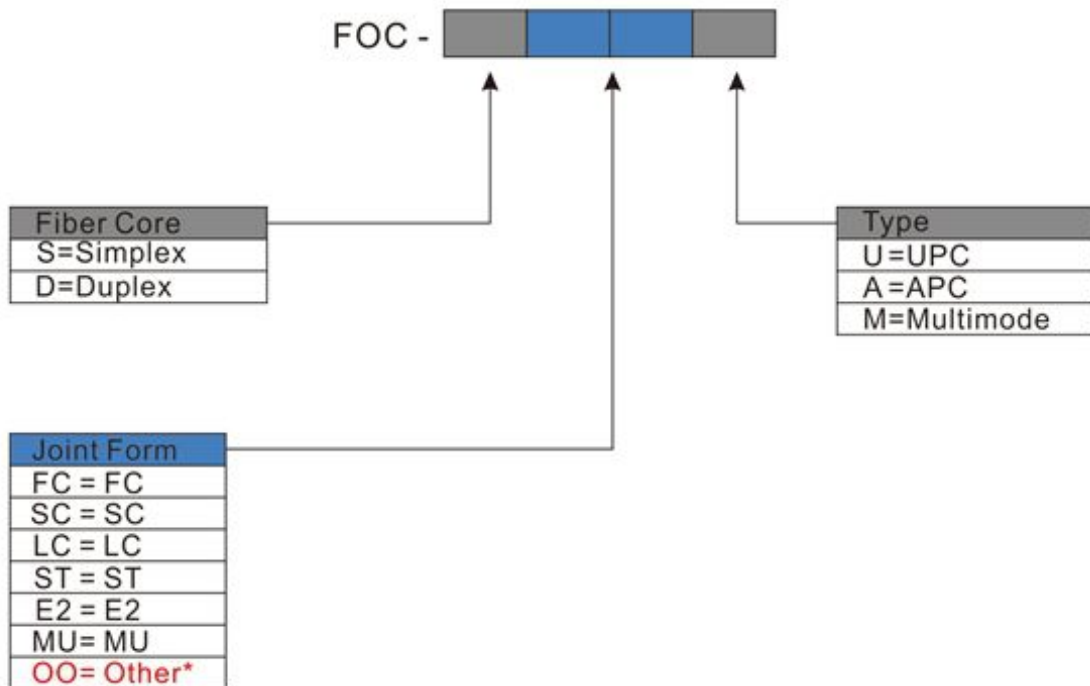
Parameters	SC/PC	SC/UPC	SC/APC
Working Temperature (°C)		-25— +75	
Insertion Loss (dB)	≤0.25	≤0.25	≤0.25
Return Loss(dB)	≥45	≥50	≥60



Part Details



Catalog Number



Ordering Example:

FOC-SMUA Simplex, MU, APC

Note : *If the required type of any item is not on the relevant list, please use "O" or "OO" as the red cells indicate, and kindly state the required type in the description of PO.

