

Fiber Optic Connector

MU Connector

Overview

The simplex and duplex MU connector are used in two fiber optical interconnects and are therefore well suited for high density applications.

Features

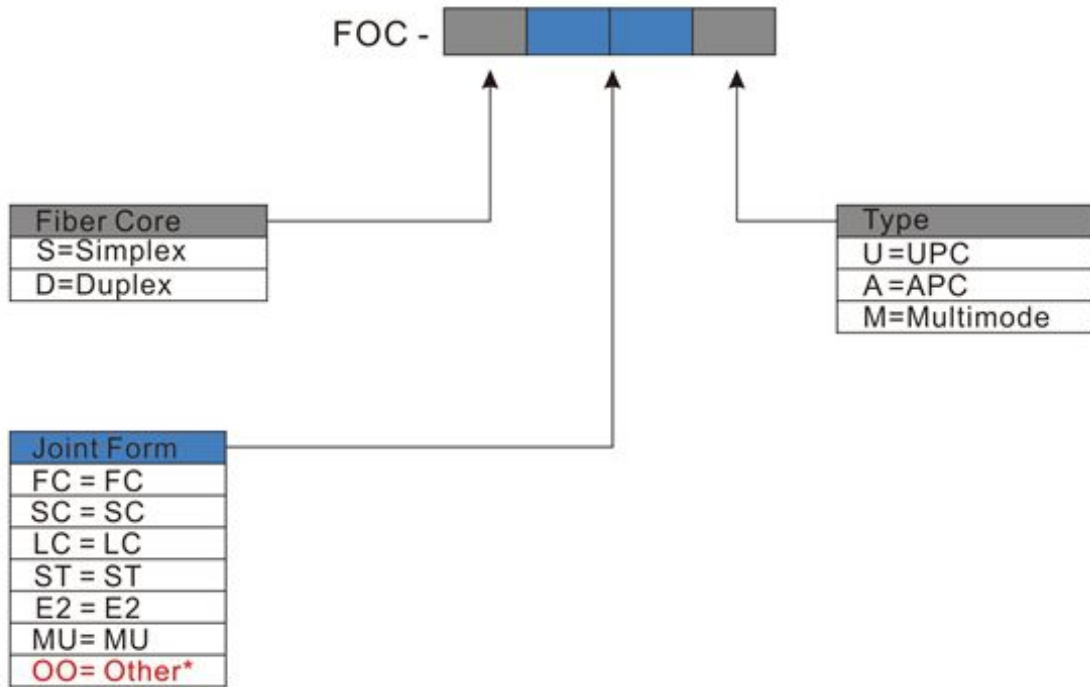
- Plug-in-and-out structure, easy operation
- High return loss, Low insertion loss
- Push-and-pull structure, convenient for operation;
- Split zirconia (ceramic) ferrule is adopted.
- Available fiber diameter: 0.9mm, 2.0mm, 3.0mm
- Usually mounted in a distribution panel or wall box.
- The connector are color coded allowing easy identification of the connector type.
- Available with single-core & multi-core patch cords and pigtails.



Technical Specifications		
Parameters	MU/PC	MU/UPC
Working Temperature (°C)	-40— +80	
Insertion Loss (dB)	≤0.25	≤0.25
Return Loss(dB)	≥45	≥50



Catalog Number



Ordering Example:

FOC-SMUA Simplex, MU, APC

Note : *If the required type of any item is not on the relevant list, please use "O" or "OO" as the red cells indicate, and kindly state the required type in the description of PO.

