

# Fiber Optic Connector

## MTRJ Connector

### Overview

The singlemode and multimode MTRJ connector are used in two fiber optical interconnects and are therefore well suited for high density applications. The MTRJ connectors come standard in black, with additional colors available upon request.

### Features

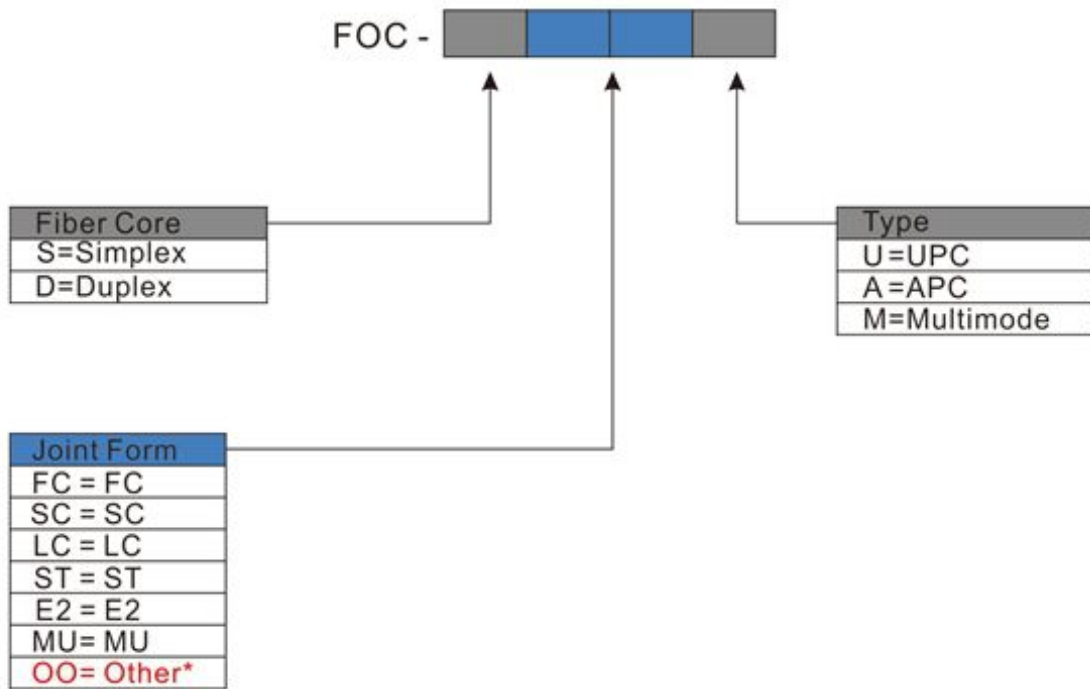
- Plug-in-and-out connection, easy operation
- High return loss, Low insertion loss
- Push-and-pull structure, convenient for operation;
- Split zirconia (ceramic) ferrule is adopted.
- Available fiber diameter: 0.9mm, 2.0mm, 3.0mm
- Usually mounted in a distribution panel or wall box.
- The connector are color coded allowing easy identification of the connector type.
- Available with single-core & multi-core patch cords and pigtailed.



Technical Specifications		
Parameters	MTRJ/PC	MTRJ/UPC
Working Temperature (°C)	-40— +80	
Insertion Loss (dB)	≤0.25	≤0.25
Return Loss( dB)	≥45	≥50



# Catalog Number



## Ordering Example:

FOC-SMUA Simplex, MU, APC

**Note :** \*If the required type of any item is not on the relevant list, please use "O" or "OO" as the red cells indicate, and kindly state the required type in the description of PO.

