

Fiber Optic Connector

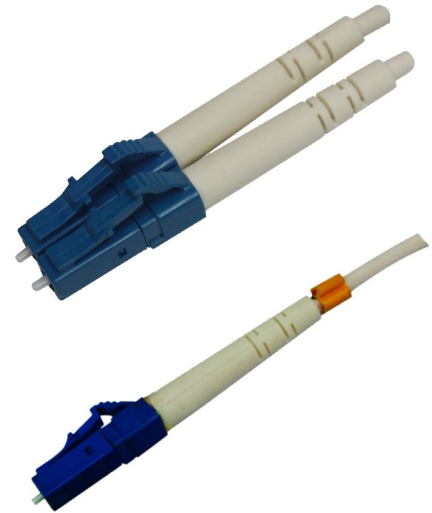
LC Connector

Overview

The LC connector set the standard for small optical fiber interconnects. LC small-form-factor connectors are available as duplex, enabling two connectors to be used in the same footprint.

Features

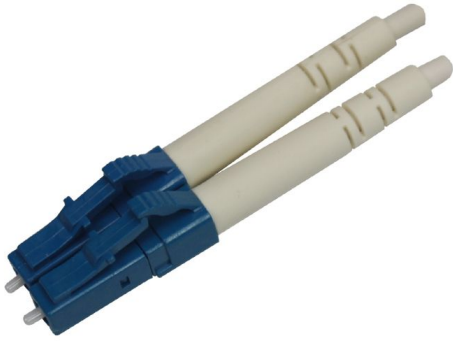
- Double the capacity, perfect space saving solution
- Small size, large capacity
- Bayonet structure, convenient for installation.
- High return loss, Low insertion loss
- Push-and-pull structure, convenient for operation;
- Split zirconia (ceramic) ferrule is adopted.
- Available fiber diameter: 0.9mm, 2.0mm, 3.0mm
- Usually mounted in a distribution panel or wall box.
- The connectors are color coded allowing easy identification of the connector type.
- Available with single-core & multi-core patch cords and pigtails.



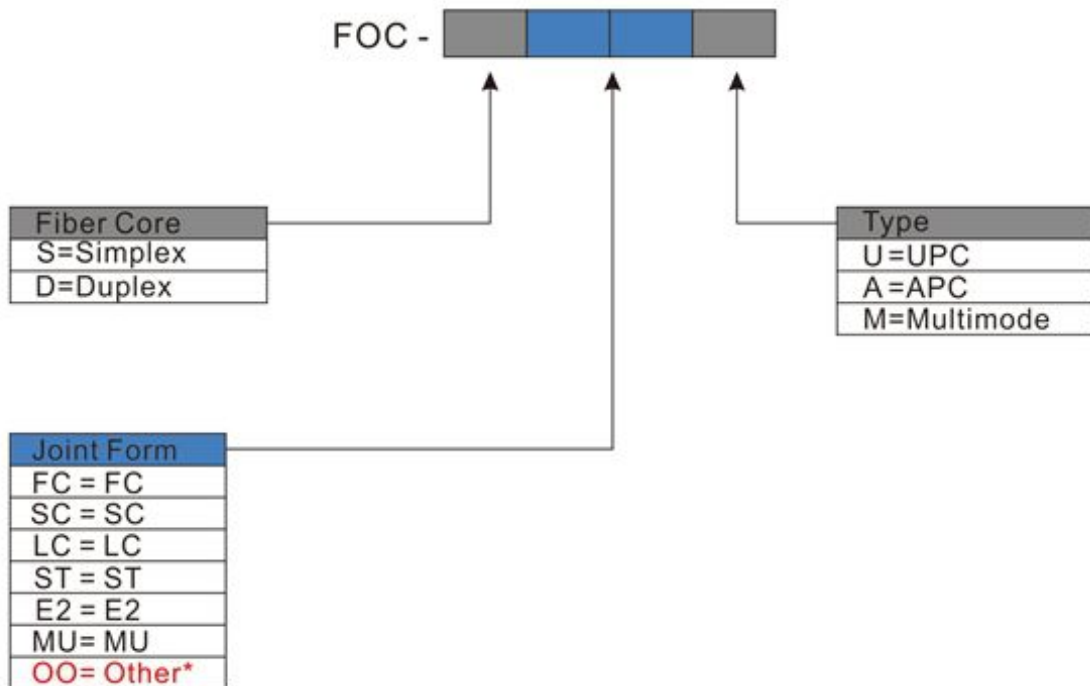
Technical Specifications			
Parameters	LC/PC	LC/UPC	LC/APC
Working Temperature (°C)		-25— +75	
Insertion Loss (dB)	≤0.25	≤0.25	≤0.25
Return Loss(dB)	≥45	≥50	≥60



Part Details



Catalog Number



Ordering Example:

FOC-SMUA Simplex, MU, APC

Note : *If the required type of any item is not on the relevant list, please use "O" or "OO" as the red cells indicate, and kindly state the required type in the description of PO.

