

Fiber Optic Connector

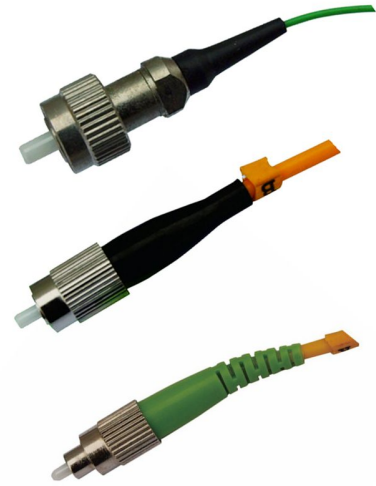
FC Connector

Overview

The FC connector are mainly used for single mode applications where precision is required. With its simple to use locking thread mechanism preventing accidental disconnection, this provides a very secure connection.

Features

- Thread and integration structure with reliable connector;
- Square and round flange;
- Split zirconia (ceramic) ferrule is adopted.
- High return loss, Low insertion loss
- Push-and-pull structure, convenient for operation;
- Split zirconia (ceramic) ferrule is adopted.
- Available fiber diameter: 0.9mm, 2.0mm, 3.0mm
- Usually mounted in a distribution panel or wall box.
- The connectors are color coded allowing easy identification of the connector type.
- Available with single-core & multi-core patch cords and pigtailed.



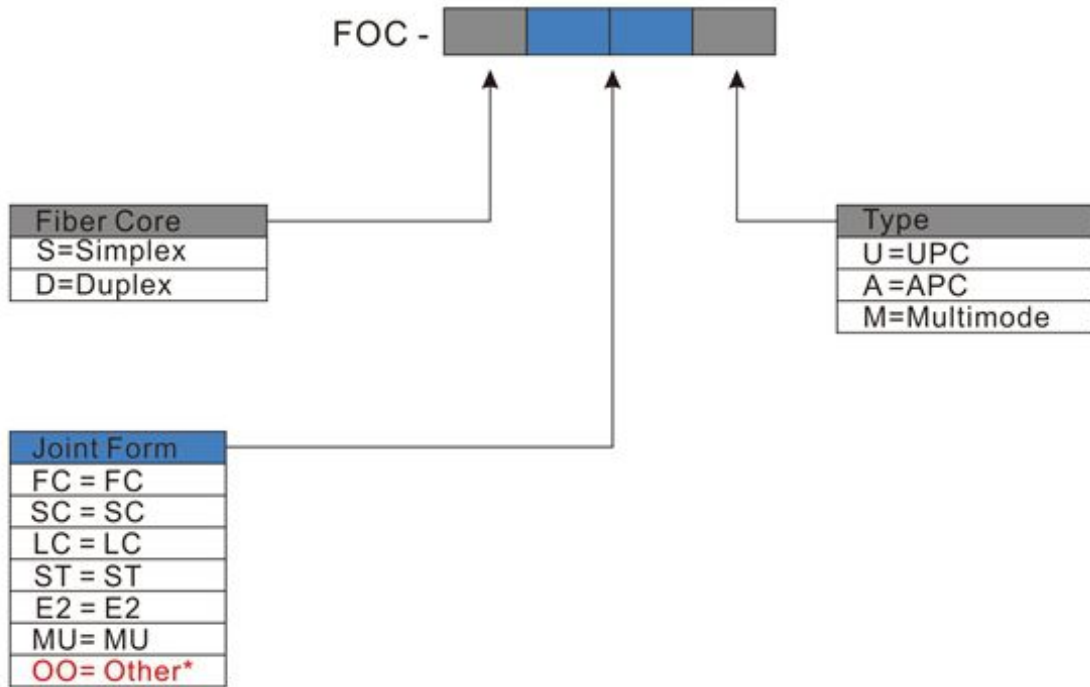
Technical Specifications			
Parameters	FC/PC	FC/UPC	FC/APC
Working Temperature (°C)		-40— +80	
Insertion Loss (dB)	≤0.25	≤0.25	≤0.25
Return Loss(dB)	≥45	≥50	≥60



Part Details



Catalog Number



Ordering Example:

FOC-SMUA Simplex, MU, APC

Note : *If the required type of any item is not on the relevant list, please use "O" or "OO" as the red cells indicate, and kindly state the required type in the description of PO.

