

Fiber Optic Connector

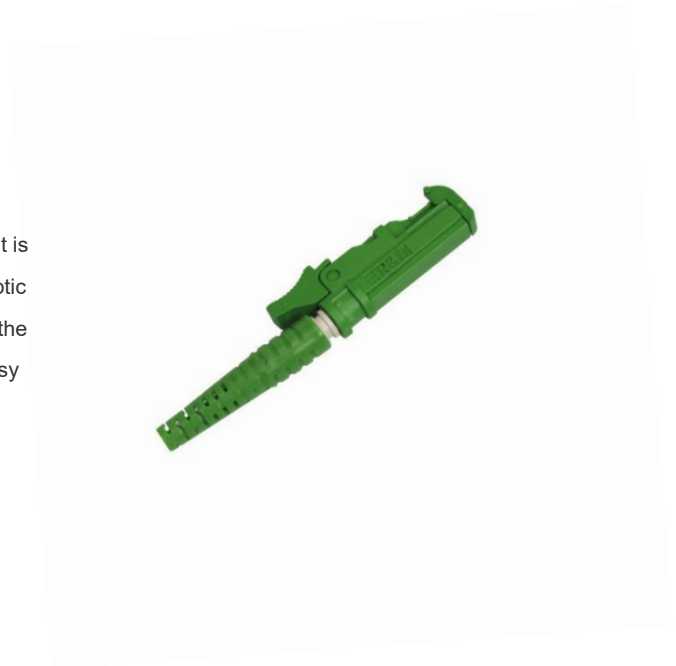
E2000 Connector

Overview

Fiber Optic Connector is an important components used in the fiber optic network. It is also the key part used in fiber optic patch cord and fiber optic pigtail. E2000 fiber optic connector has a push-pull coupling mechanism, with an automatic metal shutter in the connector and adapter as dust and laser beam protection. One-piece design for easy and quick termination, used for high safety and high power applications.

Features

- Small size, large capacity
- High return loss, Low insertion loss
- Available fiber diameter: 0.9mm, 2.0mm, 3.0mm
- Usually mounted in a distribution panel or wall box.
- Secure transmission of high bit-rate protocols
- Zirconia ceramic ferrule fully protected by spring-loaded shutter
- Push-pull locking mechanism for easy installation

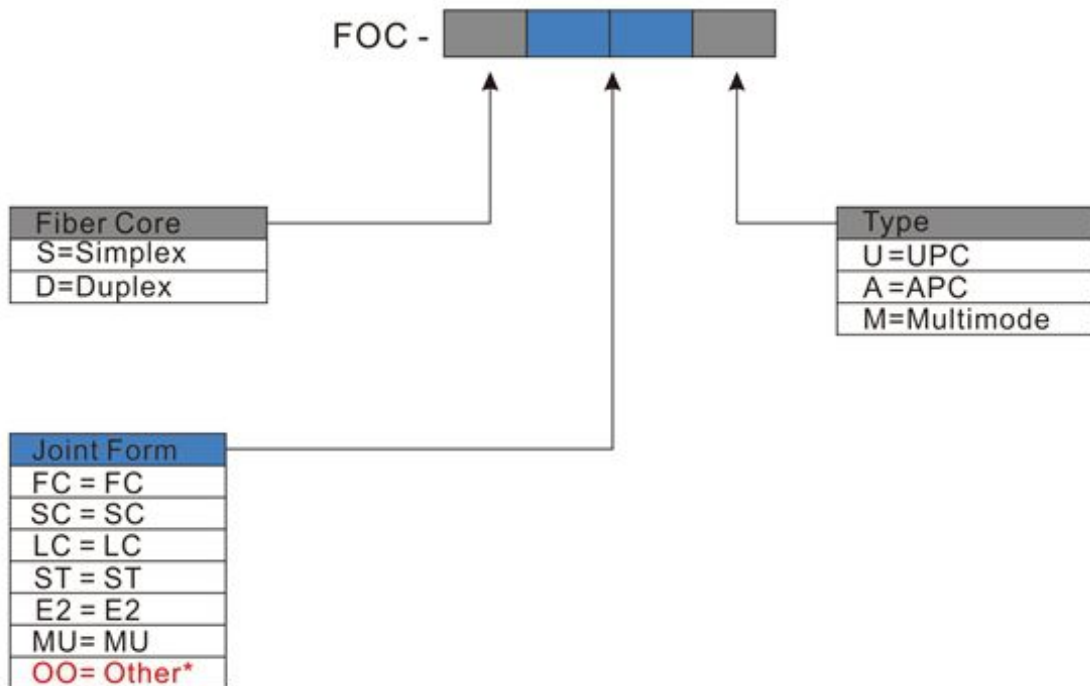


Technical Specifications

Parameters	E2000/PC	E2000/UPC	E2000/APC
Working Temperature (°C)		-40— +80	
Insertion Loss (dB)	≤0.3	≤0.3	≤0.3
Return Loss(dB)	≥45	≥50	≥60



Catalog Number



Ordering Example:

FOC-SMUA Simplex, MU, APC

Note : *If the required type of any item is not on the relevant list, please use "O" or "OO" as the red cells indicate, and kindly state the required type in the description of PO.

