

Fiber Optic Adapter

ST Adapter

Overview

The ST adapter set the standard for optical fiber interconnects. Bayonet locking mechanism can prevent accidental disconnection. With the precision housing this adapter gives the very best of performance.



Features

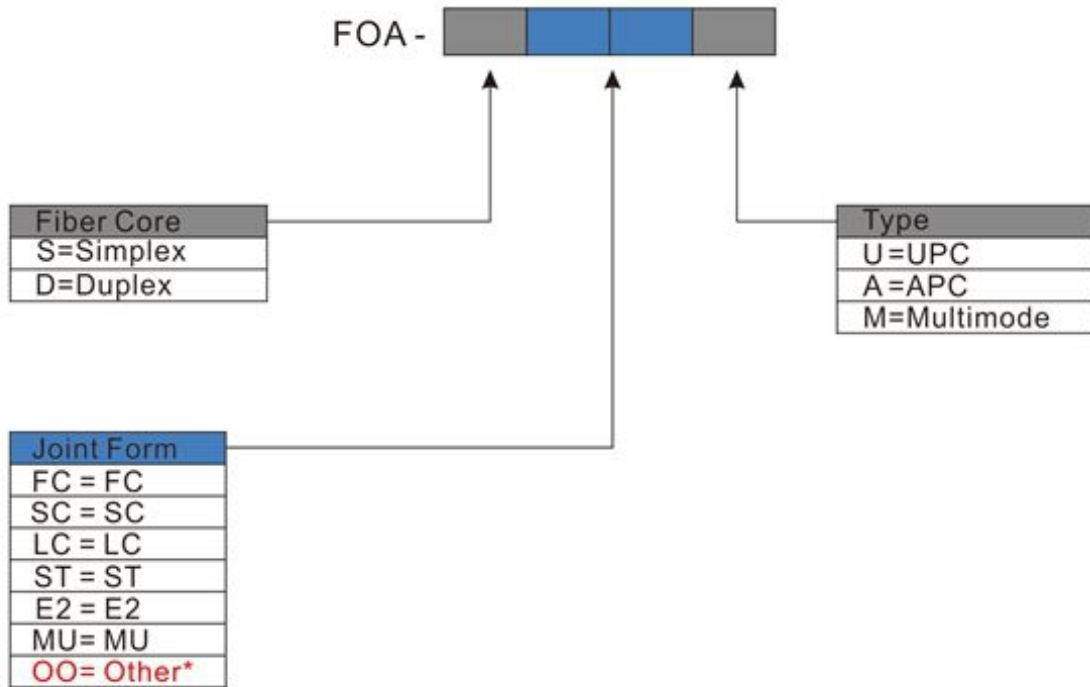
- Rotary bayonet structure, convenient for operation;
- Phosphor bronze and split zirconia (ceramic) ferrules can be selected.
- High return loss, Low insertion loss
- Push-and-pull structure, convenient for operation;
- Split zirconia (ceramic) ferrule is adopted.
- Used to mate two connectors together.
- Usually mounted in a distribution panel or wall box.
- LongXing's ST adapter is available for all standard connector types in both single mode and multimode.
- The adapters are color coded allowing easy identification of the adapter type.
- Available with single-core & multi-core patch cords and pigtails.

Technical Specifications

Parameters	ST/PC	ST/UPC	ST/APC
Working Temperature (°C)		-40 — +80	
Insertion Loss (dB)	≤0.3	≤0.3	≤0.3
Return Loss(dB)	≥45	≥50	≥60



Catalog Number



Ordering Example:

FOA-SFCU Simplex, FC, UPC

Note : *If the required type of any item is not on the relevant list, please use "O" or "OO" as the red cells indicate, and kindly state the required type in the description of PO.

