

Fiber Optic Adapter

MU Adapter

Overview

The simplex and duplex MU adapters are used in two fiber optical interconnects and are therefore well suited for high density applications.



Features

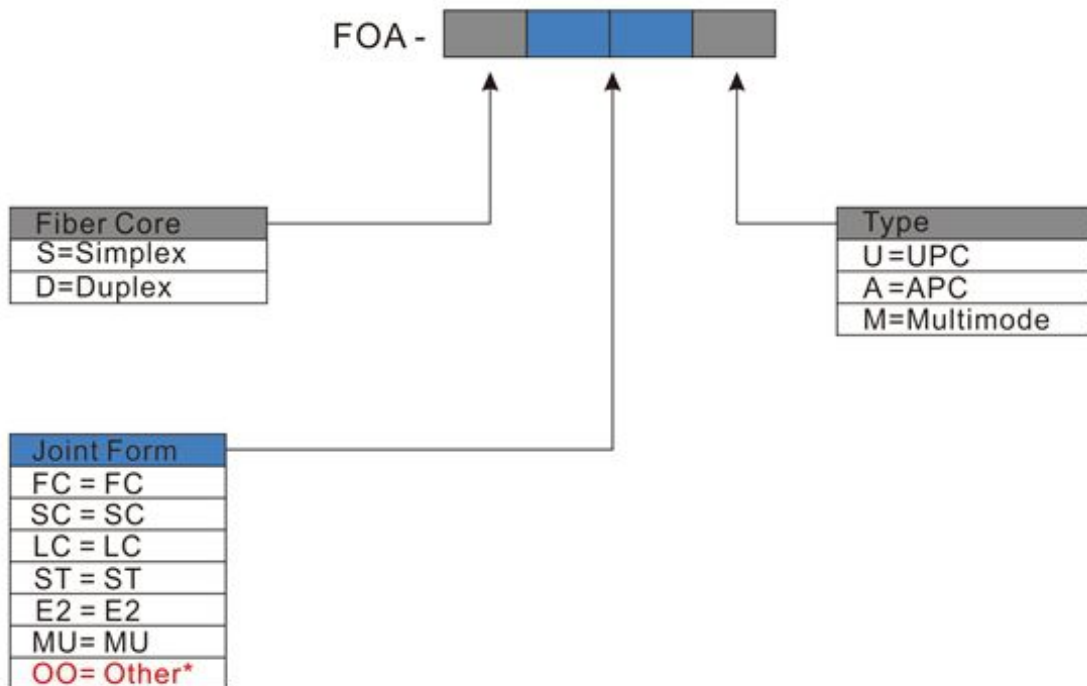
- Plug-in-and-out structure, easy operation
- High return loss, Low insertion loss
- Push-and-pull structure, convenient for operation;
- Split zirconia (ceramic) ferrule is adopted.
- Used to mate two connectors together.
- Usually mounted in a distribution panel or wall box.
- LongXing's MU adapter is available for all standard connector types in both single mode and multimode.
- The adapters are color coded allowing easy identification of the adapter type.
- Available with single-core & multi-core patch cords and pigtailed.

Technical Specifications

Parameters	SC/PC	SC/UPC
Working Temperature (°C)	-40 — +80	
Insertion Loss (dB)	≤0.25	≤0.25
Return Loss(dB)	≥45	≥50



Catalog Number



Ordering Example:

FOA-SFCU Simplex, FC, UPC

Note : *If the required type of any item is not on the relevant list, please use "O" or "OO" as the red cells indicate, and kindly state the required type in the description of PO.

