

Fiber Optic Adapter

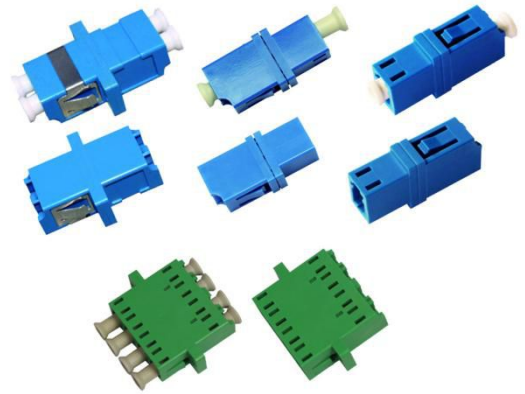
LC Adapter

Overview

The LC adapter set the standard for small optical fiber interconnects. LC small-form-factor adapters are available as duplex, enabling two connectors to be used in the same footprint.

Features

- Double the capacity, perfect space saving solution
- Small size, large capacity
- Bayonet structure, convenient for installation.
- High return loss, Low insertion loss
- Push-and-pull structure, convenient for operation;
- Split zirconia (ceramic) ferrule is adopted.
- Used to mate two connectors together.
- Usually mounted in a distribution panel or wall box.
- LongXing's LC adapter is available for all standard connector types in both single mode and multimode.
- The adapters are color coded allowing easy identification of the adapter type.
- Available with single-core & multi-core patch cords and pigtailed.

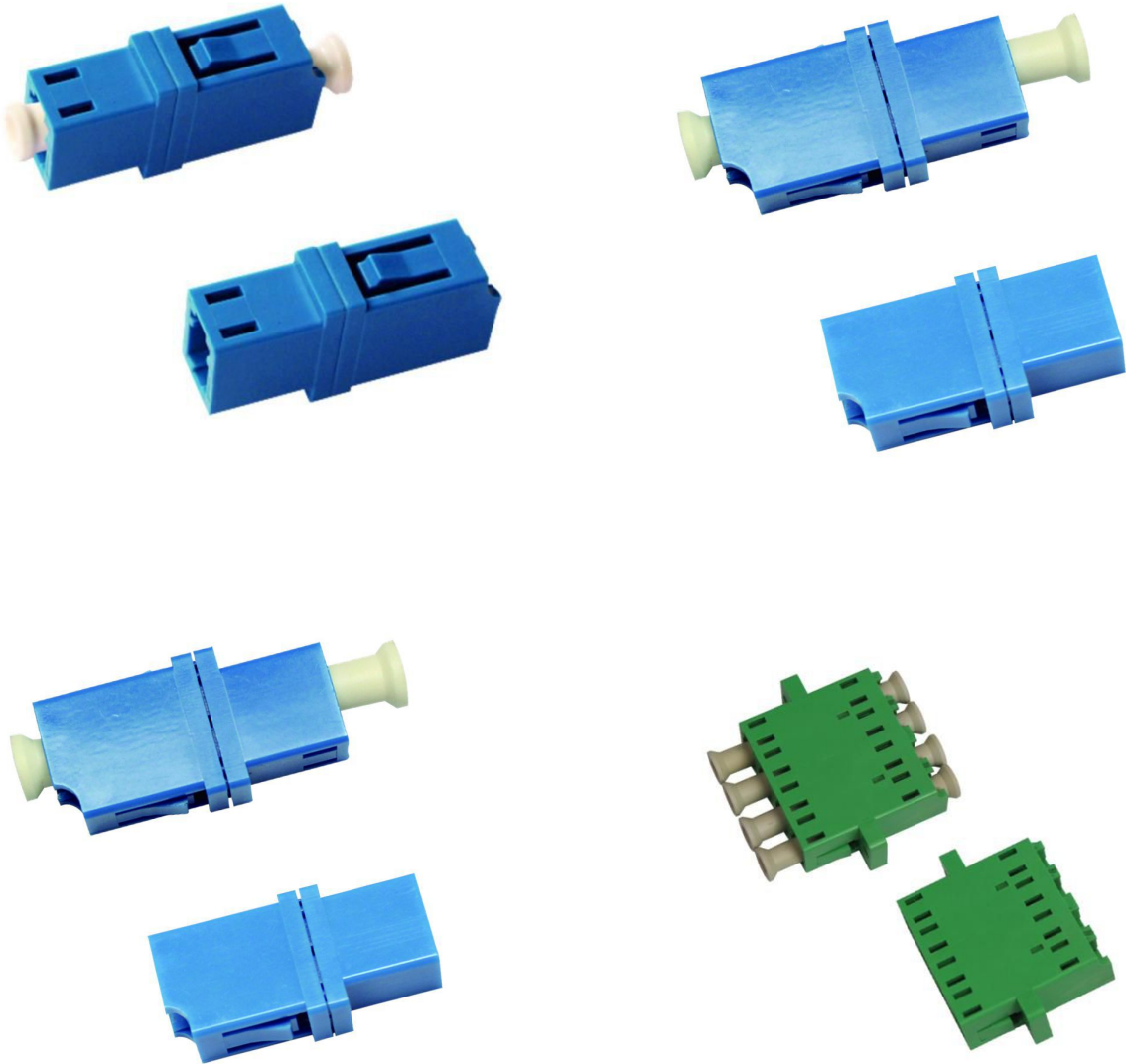


Technical Specifications

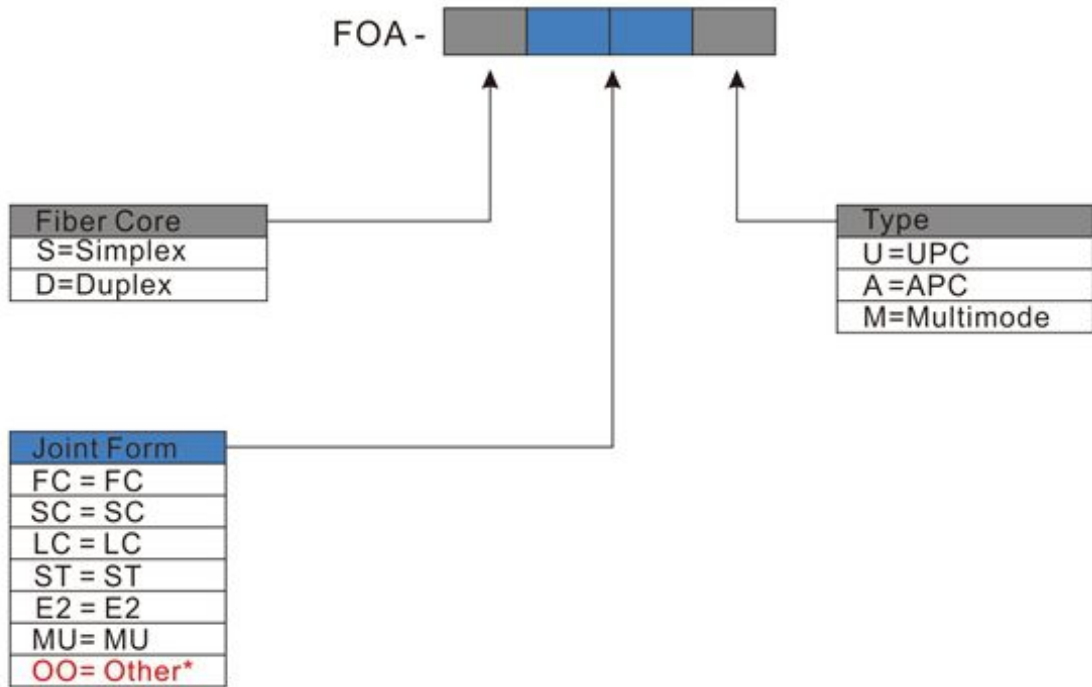
Parameters	LC/PC	LC/UPC	LC/APC
Working Temperature (°C)		-25 — +75	
Insertion Loss (dB)	≤0.25	≤0.25	≤0.25
Return Loss(dB)	≥45	≥50	≥60



Part Details



Catalog Number



Ordering Example:

FOA-SFCU Simplex, FC, UPC

Note : *If the required type of any item is not on the relevant list, please use "O" or "OO" as the red cells indicate, and kindly state the required type in the description of PO.

