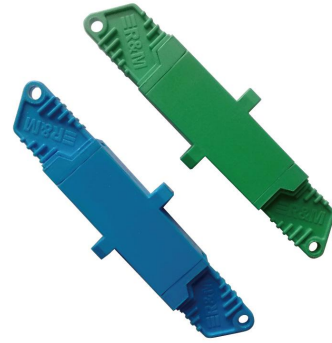


Fiber Optic Adapter

E2000 Adapter

Overview

E2000 fiber optic adapter is a small device used to mate two connectors together, usually mounted in a distribution panel or wall box. Supporting a variety of connector types, the adapters are ideal for cable assembly house and manufacturing environments and local area networks (LANs) at the workstation outlet. SC, FC, LC, ST, E2000, MPO, MTRJ or hybrid adapter types are all available.



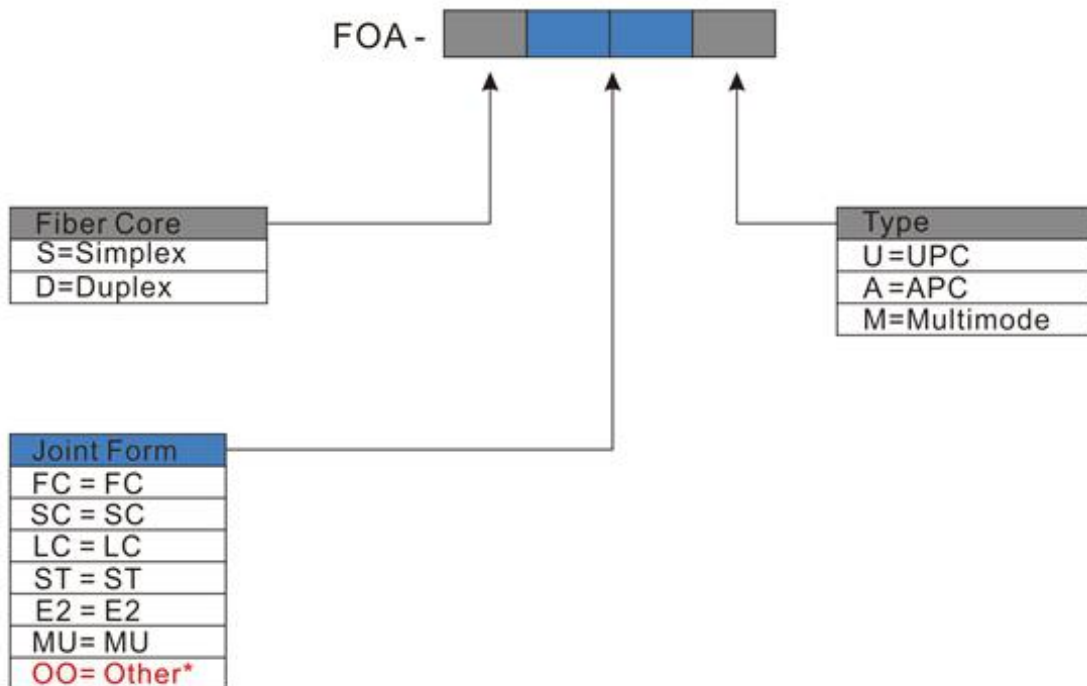
Features

- High return loss, Low insertion loss
- Comply with international industry standard
- Excellent exchangeability
- Excellent repeatability and long life cycle
- Accurate mechanical dimensions

Technical Specifications			
Parameters	E2000/PC	E2000/UPC	E2000/APC
Working Temperature (°C)		-40 — +80	
Insertion Loss (dB)	≤0.3	≤0.3	≤0.3
Return Loss(dB)	≥45	≥50	≥60



Catalog Number



Ordering Example:

FOA-SFCU Simplex, FC, UPC

Note : *If the required type of any item is not on the relevant list, please use "O" or "OO" as the red cells indicate, and kindly state the required type in the description of PO.

