

17251 172x150x51MM

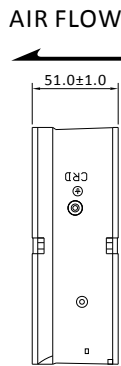
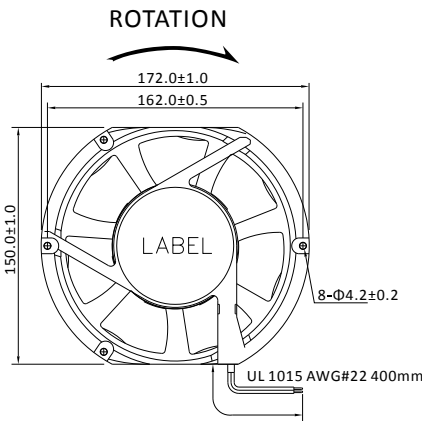
General Specifications

- ◆ Material..... Frame: Aluminum Alloy ,Impeller: Plastic(UL94V-0)
Lead Wire: UL1015 22# black Terminal:2.5mm
- ◆ Motor..... Shaded Pole & Internal Rotor Motor
- ◆ Input Voltage..... 110V/220V (optional)
- ◆ Dielectric Strength..... 50/60Hz ,1500VAC 1Min(between input terminal and frame)
- ◆ Expected Life..... Ball Bearing 50000hrs (40°C)
- ◆ Temperature Range..... Operating temperature -10°C~+70°C(Non-condensing)
Storage temperature -40°C~+70°C(Non-condensing)

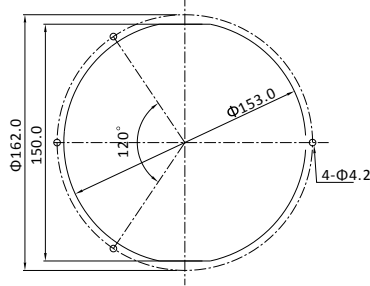


Dimensions(Unit:mm)

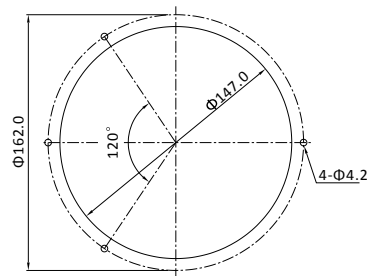
Mounting Panel Cutout (Unit:mm)



OUTLET SIDE

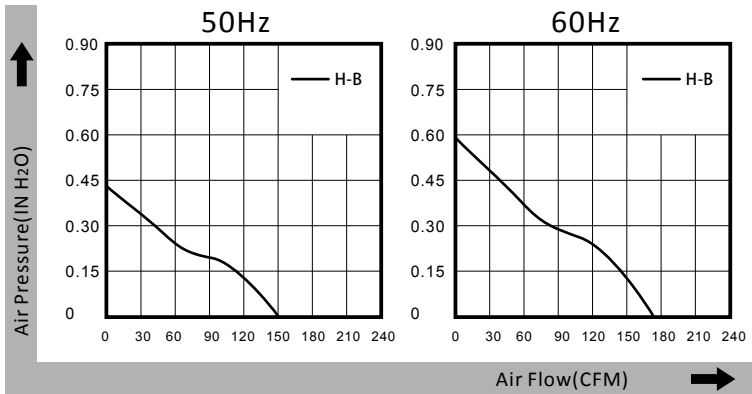


INLET SIDE



PQ Curve(At Rated Voltage)

Safety Standards



Specifications

Model	Bearing Type	Rated Voltage	Freq	Rated Current	Input Power	Speed	Max Air Flow	Max Static Pressure	Noise	Weight
Part No.	B	VAC	Hz	Amp	Watt	RPM	CFM	Inch-H ₂ O	dB-A	g
AC17251B11HL(T)	Dual Ball	100~120	50/60	0.43/0.39	53/47	2300/2500	150/190	0.43/0.59	52/55	900
AC17251B22HL(T)	Dual Ball	200~240	50/60	0.24/0.21	53/47	2300/2500	150/190	0.43/0.59	52/55	900