

Fiber Optics Terminal Box

GP31-2M96B

Overview

LongXing GP31-2M96B fiber optics distribution cabinet is currently being widely used for distributing outdoor optical cable in indoor and outdoor conditions. It is very suitable for FTTx uses. This cabinet offers ideal environment for fibers to be spliced and well organized under outdoor environment.



Features

- The cabinet has functions of cable termination, splicing, distribution and cross-connection.
- Solid and fully-closed structure with the advantages of good performance of dust-proof, pleasing and neat appearance.
- Two types: fillet type and square corner
- Easy installations: Wall mountable.
- Ideal for indoor uses – cable entrances & exits located on both top and bottom. Lock provided on every cabinet ensures the safety of the fibers.
- The central adapter board separates the incoming cables and the exiting fibers
- Central adapter board is movable for easier installation (for capacity over 48 cores.)
- Adapters are installed on our 6-position adapter holders, no screws need for installing any type adapters, which is very easy for future maintenance and keeps the transmission loss at low level.
- Adoptable adapter types: FC, SC, LC/Duplex



Dimensions and Capacity

Cabinet Type	Dimensions (W*D*H)mm	Capacity	
		FC/SC adapters	LC (Duplex) adapter
Square Corner	400×440×110	12	24
	460×480×125	24	48
	460×480×150	36	72
	460×480×150	48	96
	460×480×170	72	144
	460×480×220	96	192

Operation Conditions

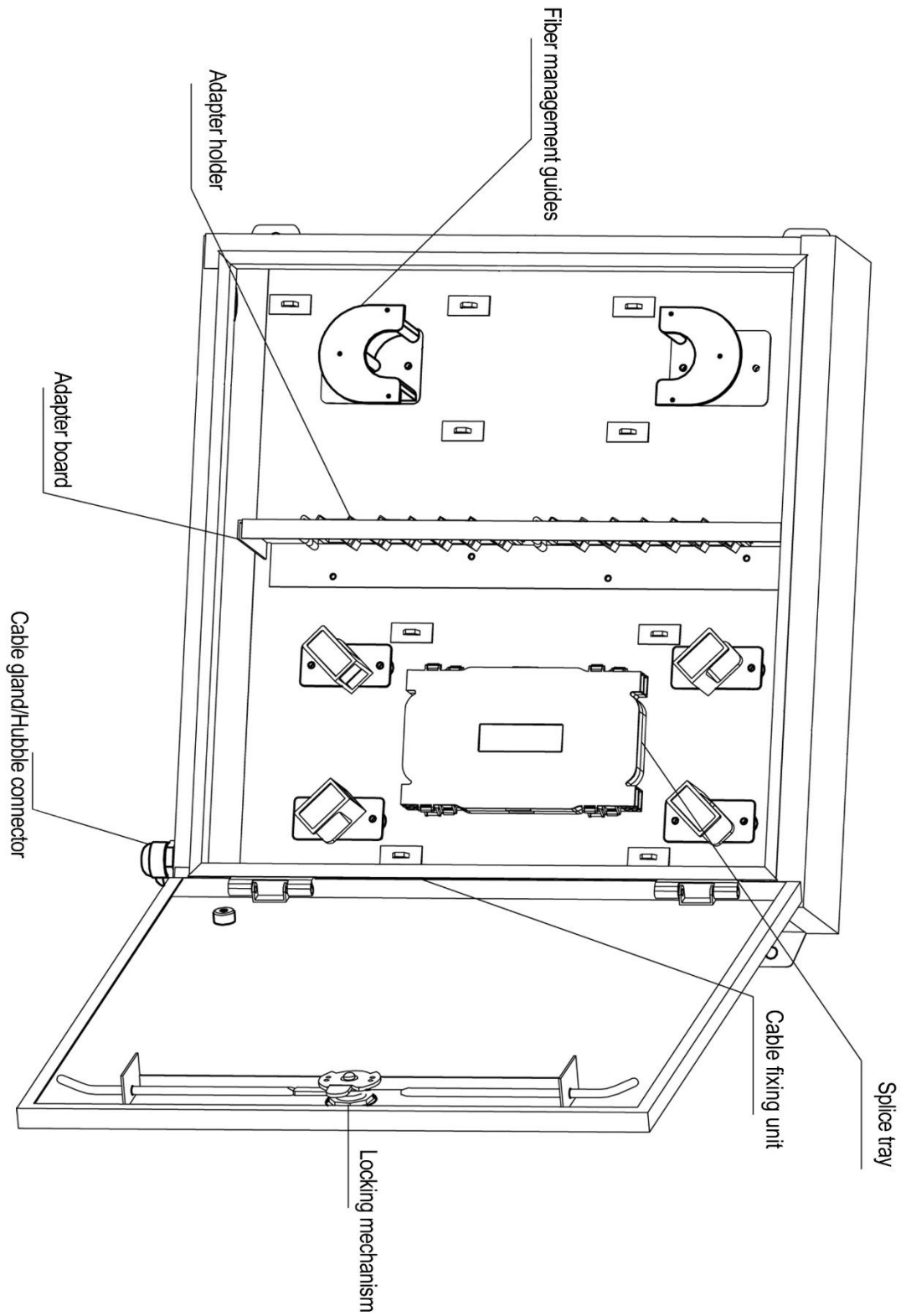
Temperature	-30°C - 75°C
Humidity	≤90% (at 30 °C)
Air Pressure	70kPa – 106kPa

Shipping Information

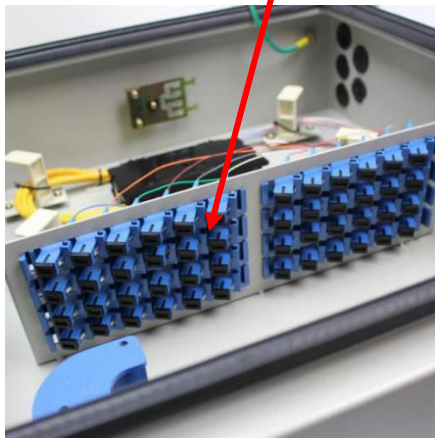
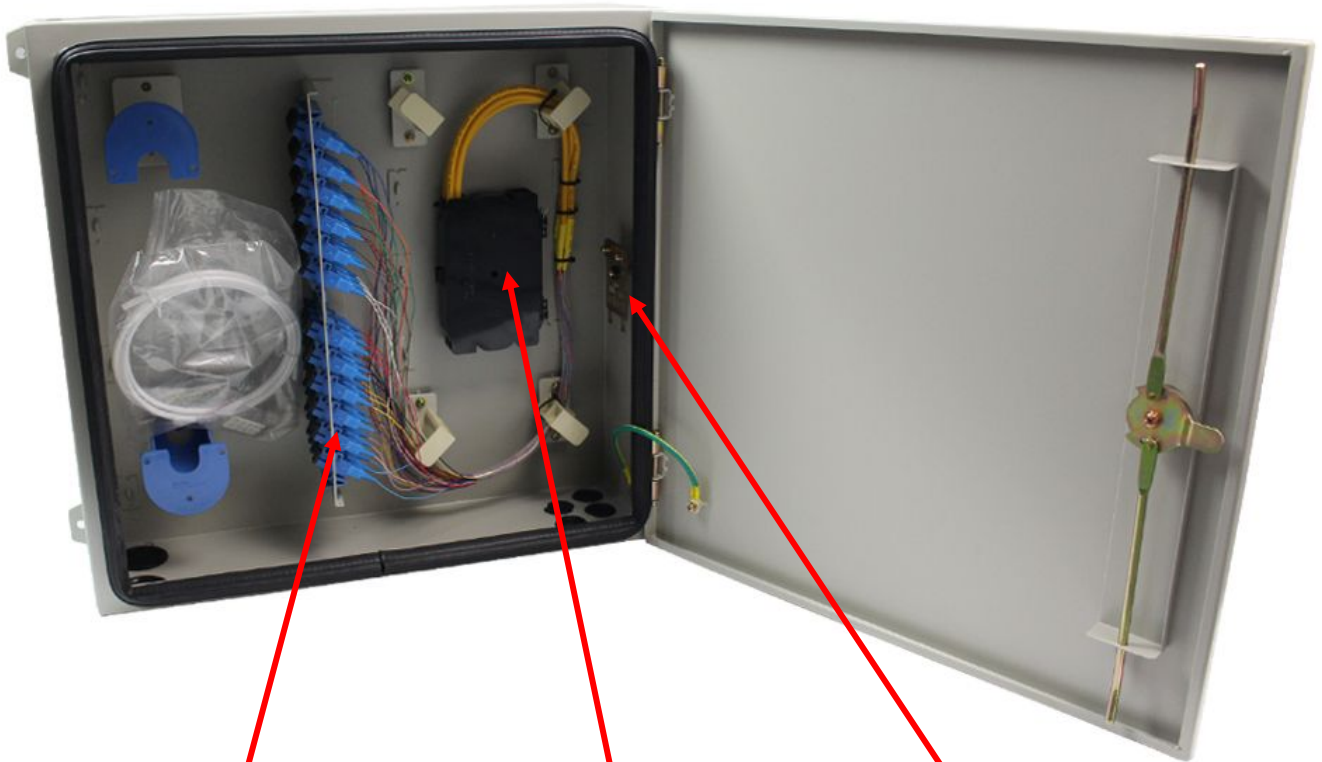
Package Contents	Terminal box, 1 unit; Installation accessories, 1 set
Material	Carton box
Lead Time	10-15 working days normally



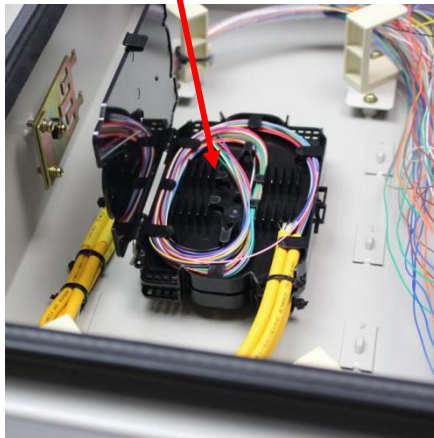
Technical Drawing



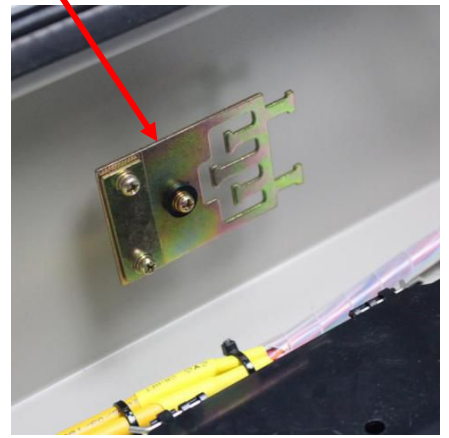
Part Details



Adapter board



Splice tray



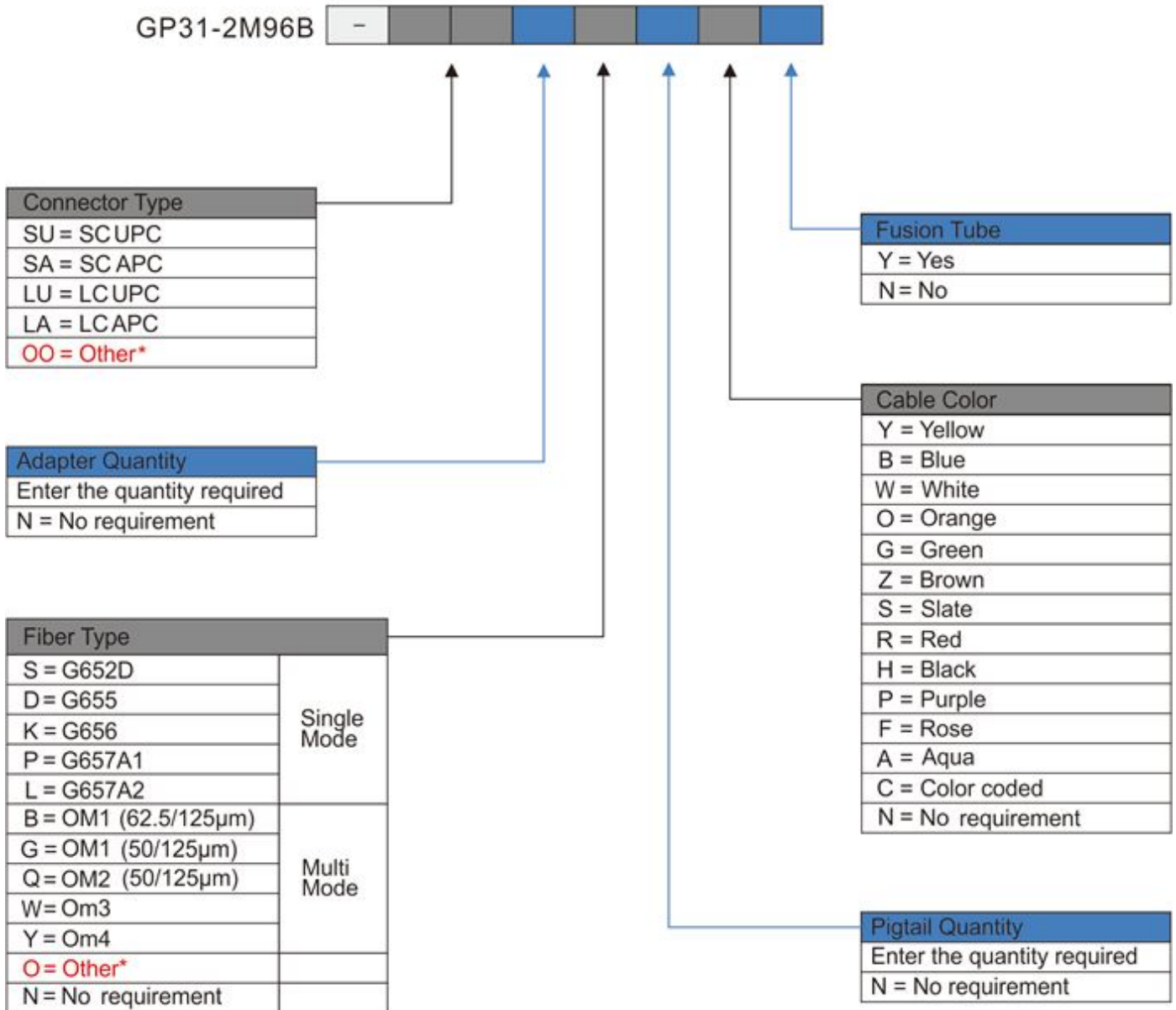
Cable fixing unit



Catalog Number

To order fiber optics distribution box only is GP31-2M96B.

To order fiber optics distribution box with accessories the LongXing catalog number is compiled as follows:



Ordering Example:

GP31-2M96B-SU4S4YN SC UPC, 4 Adapters, G652D, 4 Pigtails, Yellow cable, No fusion tubes

Note: *Cable diameter is 0.9mm.

If the required type of any item is not on the relevant list, please use "O" or "OO" as the red cells indicate, and kindly state the required type in the description of PO.

