

# Air-air Heat Exchanger

LXRJH-15



## Overview

LongXing LXRJH Series of heat exchangers can be widely used in enclosed area for climate control, such as wireless communication cabinet, battery cabinet, industry control cabinet etc.

## Features

- Remote measure, remote communication, remote control, which can realize multiple automatic protection and comprehensive self-testing function
- Strict process control and international brand parts deployed to ensure high quality and reliable of this product
- Multiple self protection design & Interchangeable monitoring software interface, RS485 communication(MODBUS protocol)
- Circulation fans stepless speed regulation function
- LED Display, all the settings can be changed at the field
- The heating function is optional
- Dry contact alarm output, NO/NC optional

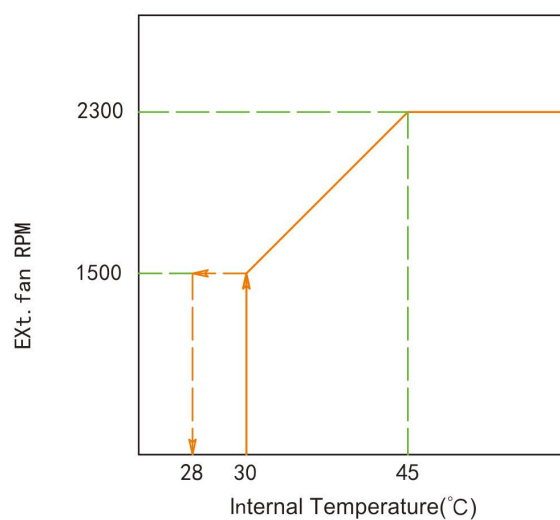
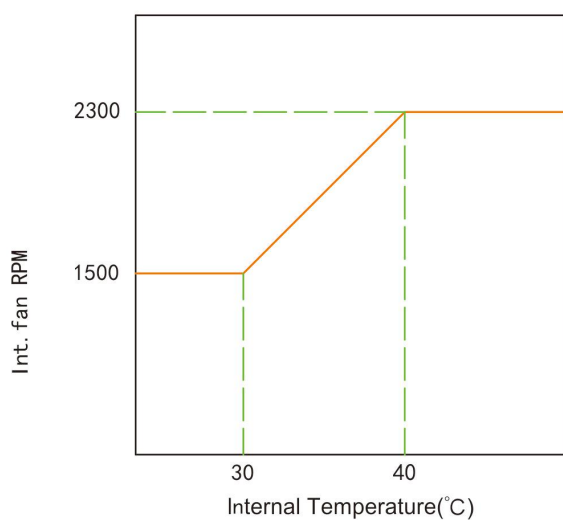


## Technical parameters

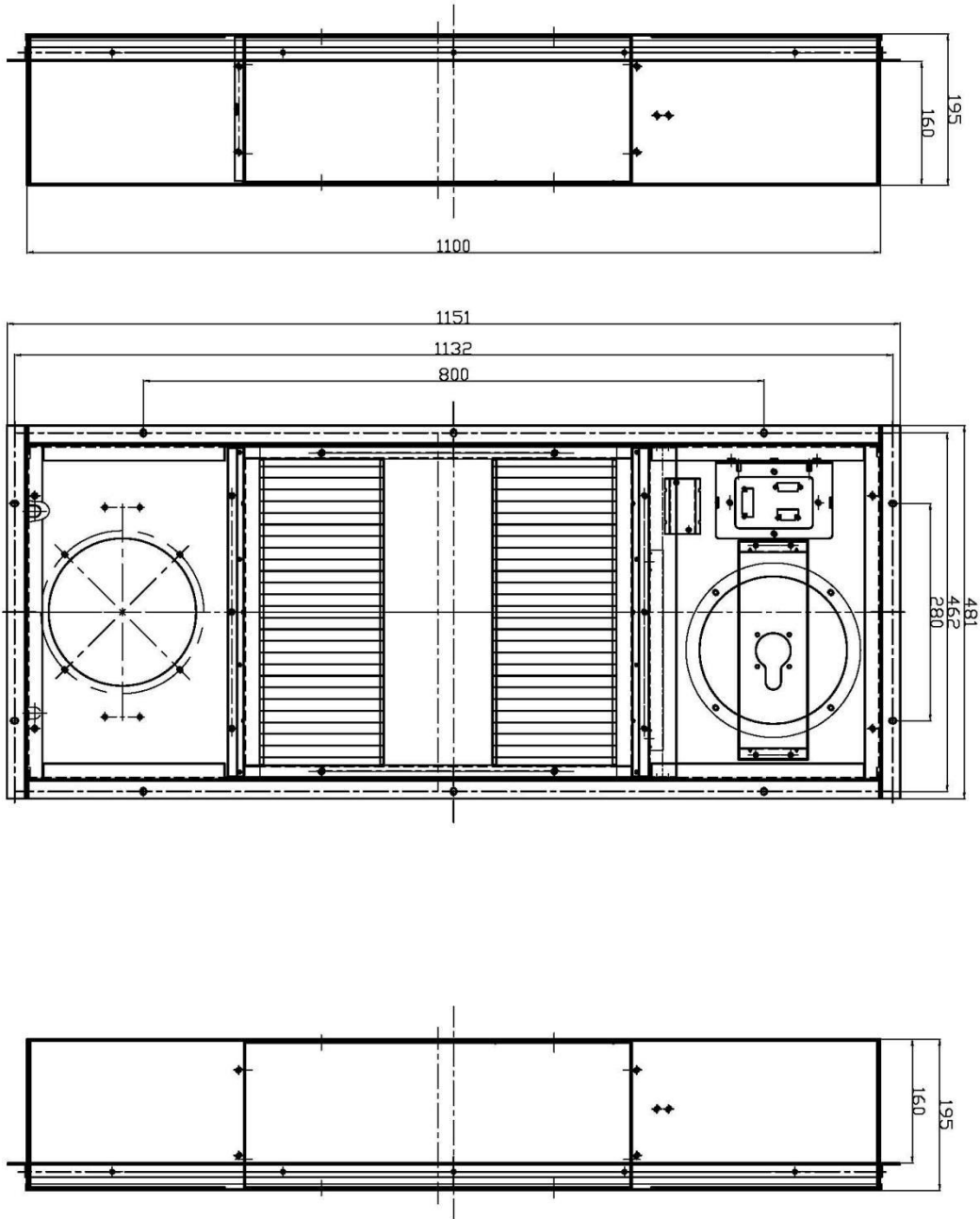
Name	DC Cabinet Heat Exchanger
Code	LXRJH-15
Mounting Method	Semi-embedded Mounting
Power Supply DC	36~72 VDC
Rated Current DC	3.8A
Start-up Current DC	4.6A
Cooling Capacity	150W/K
Fans	2*DA22551/PWM
Fans Power Consumption	190W
Internal Airflow	18.8m³/min
Rated Voltage AC	220VAC±20%
Frequency AC	50~60±3Hz
Rated Current AC	5.4A
Heater Power	1000W
Working Temperature Range	-40℃~+65℃
Noise Level	50~65dB(A)
IP Grade	IP55
Net Weight	30kg
Dimensions(H*W*D)mm	1300mmX506mmX231mm
CE&RoHS Compliant	Yes
Surface Treatment	Outdoor type powder coating Standard color: RAL7035

Int.Fan Speed vs. Cabinet inside temperature Curve

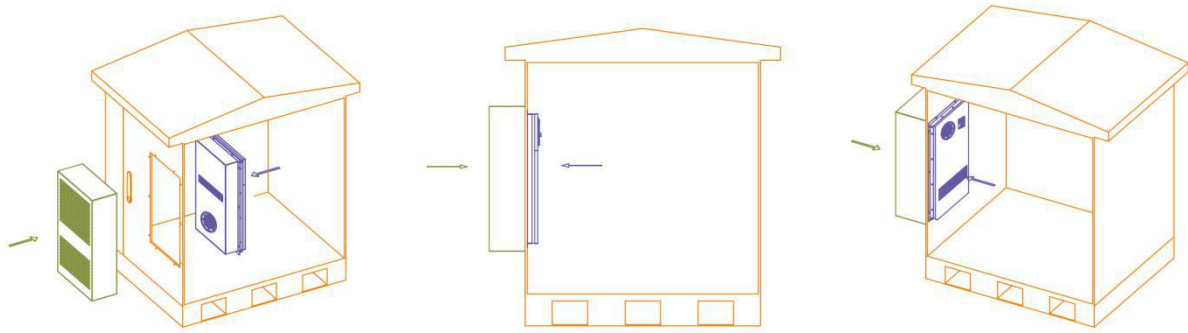
Ext.Fan Speed vs. Cabinet inside temperature Curve



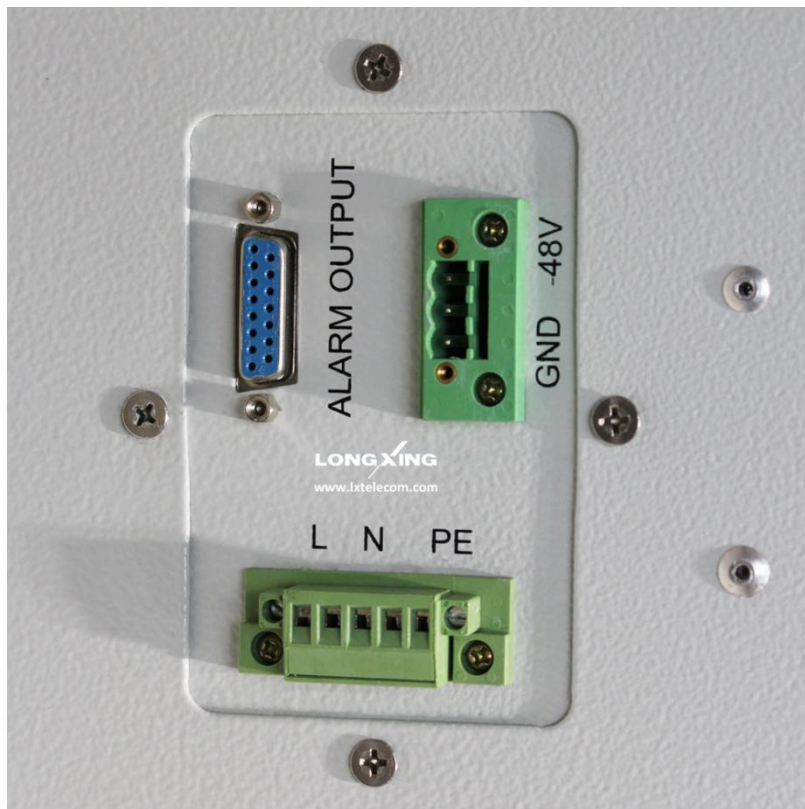
# Product Dimensions



## Installation Instruction



## Terminal Instructions



### Terminal Instructions

Symbol	Definition
GND	Positive electrode of DC power
-48V	Negative electrode of DC power
ALARM OUTPUT	Dry contact alarm output / Communication interface